

## Urban LED Light

### ZED

Techlumen© LED urban luminaire ZED series has an austere and modern design.

It provides indirect lighting and ensures visual comfort while maintaining excellent performance. ZED is produced in versions from 12W to 54W with maximum luminous flux of 10079 lux.

It is lightweight, made of aluminum and painted with electrostatic paint in any RAL color.

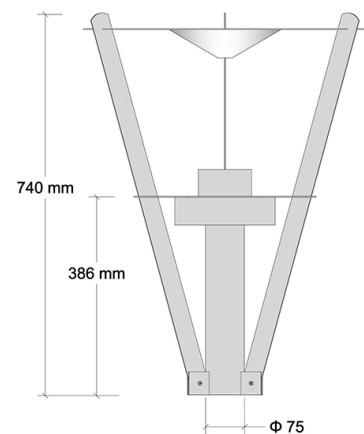
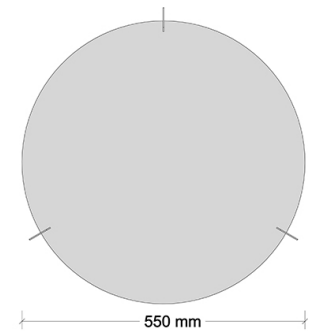
The light diffuses symmetrically by reflection on the special component that is attached on the top, which can be painted in colors that produce corresponding light color, to match the aesthetic requirements of the architect and the end user. The component is easily replaced by another of a different hue.

This enables to change the light color at will at a minimum cost.

ZED has 5 year warranty, while the Bridgelux LED Chip has 10 year guarantee.



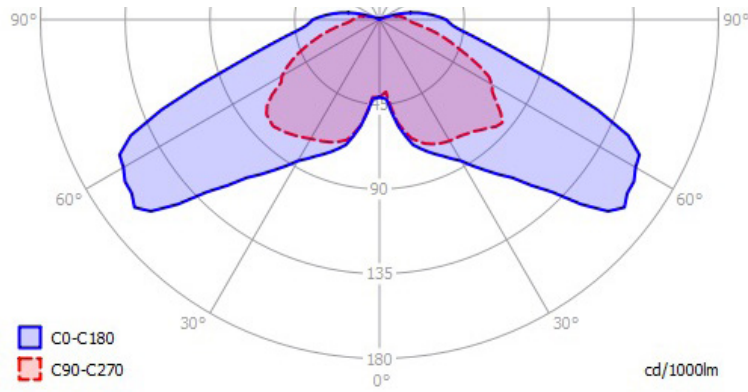
### Dimensions



Produced in Greece



Polar Intensity Diagram



Type	ZEDSeries
Luminus Power	1841 lm - 10079 lm
Power	12W - 54W
Driver	Meanwell
LED Chip	Bridgelux Vero
Consumption	0.012 - 0.055 kWh/h
Ambient Temperature	-30 °C - + 50 °C
Efficacy	151 - 189 lm/W
Power Factor	0,95
CRI	70 - 80
CCT	3000K - 5000K
IP Rating	IP54
Body	Alluminium
Finishing	Powder Coating - RAL selection
Dimensions	550mm X 740mm
Weight	4.8 Kg
Warranty	5 years
Approvals:	EN 60598-1 EN 60598-2-3 EN 13032.01 EN 61439-1:2009 2006/95/EC 2004/108/EC EN 61543:1995 Rohs

ZED series Versions					
Watt	Code	CCT	CRI	Lumen	Lm/W
12W	ZED-830-12	3000	80	1841	151
	ZED-835-12	3500	80	1896	156
	ZED-840-12	4000	80	1915	157
	ZED-750-12	5000	70	2096	172
	ZED-850-12	5000	80	1970	162
17W	ZED-830-17	3000	80	2729	160
	ZED-835-17	3500	80	2811	165
	ZED-840-17	4000	80	2838	166
	ZED-750-17	5000	70	3106	182
	ZED-850-17	5000	80	2920	171
25W	ZED-830-25	3000	80	3714	151
	ZED-835-25	3500	80	3825	156
	ZED-840-25	4000	80	3862	157
	ZED-750-25	5000	70	4227	172
	ZED-850-25	5000	80	3973	162
31W	ZED-830-31	3000	80	4700	154
	ZED-835-31	3500	80	4824	158
	ZED-840-31	4000	80	4871	160
	ZED-750-31	5000	70	5331	175
	ZED-850-31	5000	80	5011	165
36W	ZED-830-36	3000	80	5613	155
	ZED-835-36	3500	80	5730	158
	ZED-840-36	4000	80	5784	160
	ZED-750-36	5000	70	6330	175
	ZED-850-36	5000	80	5951	164
54W	ZED-830-54	3000	80	8856	166
	ZED-835-54	3500	80	9121	171
	ZED-840-54	4000	80	9209	173
	ZED-750-54	5000	70	10079	189
	ZED-850-54	5000	80	9474	178

EN 60598-1  
EN 13032.01  
EN 61439-1:2009  
EN 61543:1995



**AFOI TSIOLAKI OE**

Industrial Zone of Thessaloniki  
Greece  
T: +302310 798 335  
F: +302310 799 868

e-mail: [info@techlumen.gr](mailto:info@techlumen.gr)  
[www.techlumen.gr](http://www.techlumen.gr)

[facebook.com/techlumenledlightingen](https://facebook.com/techlumenledlightingen)

@Techlumen

[linkedin.com/company/tsiolakis-construction](https://linkedin.com/company/tsiolakis-construction)