



CEILING LED LIGHT

SOP Series

LED Techlumen SOP ceiling fixture has a cylindrical shape, is made of aluminium and is available in a wide variety of colors.

It is produced in versions from 2700K to 6500K, and CRI rating up to 97.

It has low consumption, high efficiency reaching 182 lm / W and is easily installed.

The light source is Bridgelux LED Vero series, with LM80 > 80000h and 10 year warranty.

Optionally they are produced with antibacterial coating.

DALI

0-10V

Em 3h

BLUE
TOOTH

DIM to
WARM

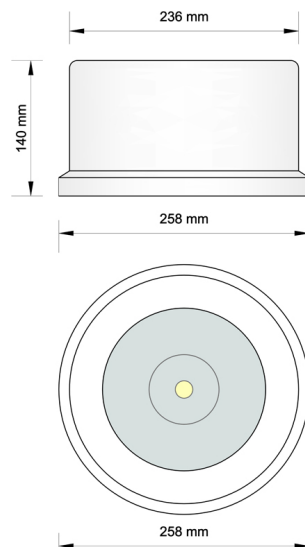
TUNABLE
CCT



Manufactured in Greece



Dimensions

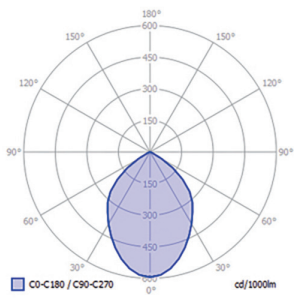


Applications

- Supermarkets
- Stores
- Schools
- Workshops
- Offices
- Bakeries



Polar Intensity Diagram






Type	SOP Series
Luminous Flux	1111 lm - 5331 lm
Power	9W- 31W
Ambient Temperature	-30°C - +40°C
Efficacy	121 - 182 lm/W
Power Factor	0,95
CRI	70 - 90
CCT	2700K - 6500K
IP Rating	IP54
IK Rating	IK08
Body	Alluminium
Finishing	RAL Selection
Dimensions	Φ258 x 140mm
Weight	1.7 Kg
Warranty	5 years
Compliances:	CE, EN 60598-1:2008 +A11:2009 EN 60598-2-2 EN 50581 EN 61000-3-2:2006 + A1:2009 + A2:2009 EN 61547:2009 EN 55015:2006 + A1:2007 +A2:2009 EN 61000-3-3:2008 EN 62471:2008 IEC 62778 EN 62493:2010 2011/65/EC (Rohs) 2009/125/EC (EuP) 2006/95/EC (LVD) 2004/108/EC (EMC)

SOP Versions					
Watt	Code	CCT	CRI	Lumen	Lm/W
9W	SOP-827-9	2700	80	1332	146
	SOP-927-9	2700	90	1111	122
	SOP-830-9	3000	80	1388	153
	SOP-930-9	3000	90	1152	127
	SOP-835-9	3500	80	1430	157
	SOP-935-9	3500	90	1194	131
	SOP-840-9	4000	80	1444	159
	SOP-940-9	4000	90	1236	136
	SOP-750-9	5000	70	1580	174
	SOP-850-9	5000	80	1486	163
	SOP-950-9	5000	90	1264	139
	SOP-757-9	5700	70	1525	168
12W	SOP-857-9	5700	80	1511	166
	SOP-765-9	6500	70	1553	171
	SOP-865-9	6500	80	1538	169
	SOP-827-12	2700	80	1768	145
	SOP-927-12	2700	90	1473	121
	SOP-830-12	3000	80	1841	151
	SOP-930-12	3000	90	1529	125
	SOP-835-12	3500	80	1896	156
	SOP-935-12	3500	90	1584	130
	SOP-840-12	4000	80	1915	157
	SOP-940-12	4000	90	1639	134
	SOP-750-12	5000	70	2096	172
17W	SOP-850-12	5000	80	1970	162
	SOP-950-12	5000	90	1676	137
	SOP-757-12	5700	70	2022	166
	SOP-857-12	5700	80	2003	164
	SOP-765-12	6500	70	2059	169
	SOP-865-12	6500	80	2041	167
	SOP-827-17	2700	80	2620	154
	SOP-927-17	2700	90	2183	128
	SOP-830-17	3000	80	2729	160
	SOP-930-17	3000	90	2265	133
	SOP-835-17	3500	80	2811	165
	SOP-935-17	3500	90	2347	138
SOP-840-17	4000	80	2838	166	
SOP-940-17	4000	90	2429	142	
SOP-750-17	5000	70	3106	182	
SOP-850-17	5000	80	2920	171	
SOP-950-17	5000	90	2485	146	
SOP-757-17	5700	70	2997	176	
SOP-857-17	5700	80	2908	166	
SOP-765-17	6500	70	2989	171	
SOP-865-17	6500	80	2812	156	

SOP Versions					
Watt	Code	CCT	CRI	Lumen	Lm/W
25W	SOP-827-25	2700	80	3565	145
	SOP-927-25	2700	90	2971	121
	SOP-830-25	3000	80	3714	151
	SOP-930-25	3000	90	3083	126
	SOP-835-25	3500	80	3825	156
	SOP-935-25	3500	90	3194	130
	SOP-840-25	4000	80	3862	157
	SOP-940-25	4000	90	3305	135
	SOP-750-25	5000	70	4227	172
	SOP-850-25	5000	80	3973	162
	SOP-950-25	5000	90	3382	138
	SOP-757-25	5700	70	4078	166
31W	SOP-857-25	5700	80	4042	165
	SOP-765-25	6500	70	4153	169
	SOP-865-25	6500	80	4116	168
	SOP-827-31	2700	80	4496	148
	SOP-927-31	2700	90	3747	123
	SOP-830-31	3000	80	4700	154
	SOP-930-31	3000	90	3887	128
	SOP-835-31	3500	80	4824	158
	SOP-935-31	3500	90	4028	132
	SOP-840-31	4000	80	4871	160
	SOP-940-31	4000	90	4168	137
	SOP-750-31	5000	70	5331	175
SOP-850-31	5000	80	5011	165	
SOP-950-31	5000	90	4265	140	
SOP-757-31	5700	70	5144	169	
SOP-857-31	5700	80	5097	167	
SOP-765-31	6500	70	5237	172	
SOP-865-31	6500	80	5190	170	

AFOI TSIOLAKI OE
Industrial Zone of Thessaloniki
Greece
T: +302310 798 335
F: +302310 799 868

e-mail: info@techlumen.gr
www.techlumen.gr

 facebook.com/Techlumen
 [@Techlumen](https://twitter.com/Techlumen)
 linkedin.com/company/tsiolakis-construction