

LED WALL SPOT

RAY-W-50 series

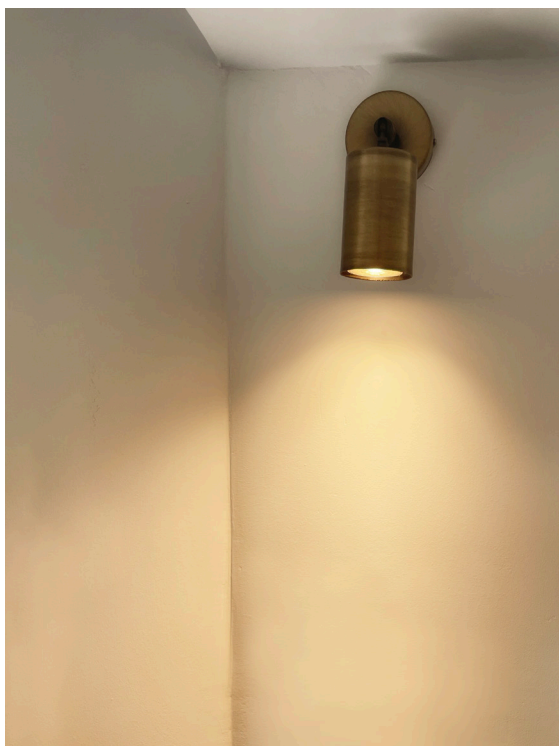
RAY-W-50 LED fixtures have small dimensions with diameter of 50mm

They are produced with optics of 12° to 86°.

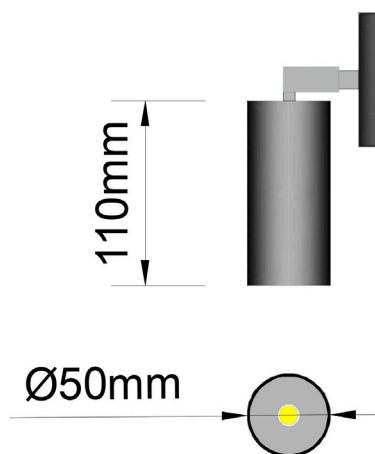
It comes in versions of CCT from 2700K to 5000K and with CRI up to 97.

It is painted with electrostatic powder coating in any RAL color.

RAY-W-50 has LM80 > 70000h index and 5 years warranty.



Dimensions



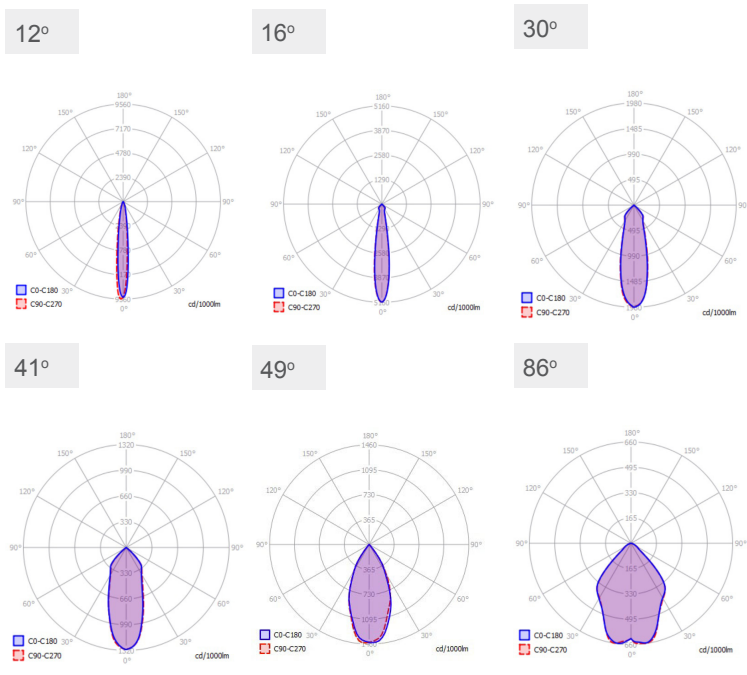
Manufactured in Greece



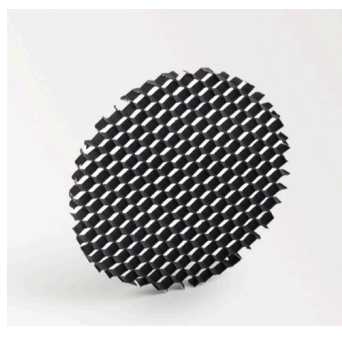
Type	RAY-W-50 Series
Luminous Flux	561 lm - 1575 lm
Power	6W - 9W
Ambient Temperature	-30 °C - + 50 °C
Efficacy	93 - 175 lm/W
Power Factor	0,95
CRI	70 - 97
CCT	2700K - 5000K
IP Rating	IP33
Body	Alluminium
Finishing	Any RAL
Dimensions	Φ50 - H1110
Weight	0.7 Kg
Warranty	5 years
Compliances	EN 60598-1:2008 +A11:2009 EN 60598-2-2:2012 EN 60598-2-13 EN 60598-2-13/A1 EN 50581 EN 61000-3-2:2006 + A1:2009 + A2:2009 EN 61547:2009 EN 55015:2006 + A1:2007 +A2:2009 EN 61000-3-3:2008 EN 62471:2008 IEC 62778 EN 62493:2010 2011/65/EC (Rohs) 2009/125/EC (EuP) 2006/95/EC (LVD) 2004/108/EC (EMC)

RAY-W-50 Versions					
Watt	Code	CCT	CRI	Lumen	Lm/W
6W	RAY-W-50-927H-6	2700	97	561	93
	RAY-W-50-927-6	2700	90	590	95
	RAY-W-50-827-6	2700	80	740	119
	RAY-W-50-930H-6	3000	90	724	120
	RAY-W-50-930-6	3000	90	799	133
	RAY-W-50-830-6	3000	80	985	164
	RAY-W-50-935-6	3500	90	724	120
	RAY-W-50-835-6	3500	80	985	164
	RAY-W-50-940-6	4000	90	841	140
	RAY-W-50-840-6	4000	80	1008	138
	RAY-W-50-950-6	5000	90	856	142
	RAY-W-50-850-6	5000	80	990	165
RAY-W-50-750-6	5000	70	1029	171	
9W	RAY-W-50-927H-9	2700	97	926	103
	RAY-W-50-927-9	2700	90	994	110
	RAY-W-50-827-9	2700	80	1370	152
	RAY-W-50-930H-9	3000	97	989	110
	RAY-W-50-930-9	3000	90	1181	131
	RAY-W-50-830-9	3000	80	1455	162
	RAY-W-50-935-9	3500	90	1194	131
	RAY-W-50-835-9	3500	80	1490	165
	RAY-W-50-940-9	4000	90	1250	139
	RAY-W-50-840-9	4000	80	1498	166
	RAY-W-50-950-9	5000	80	1310	145
	RAY-W-50-850-9	5000	90	1515	168
RAY-W-50-750-9	5000	80	1575	175	

Polar Diagrams



Accessories / Options



AFOI TSIOLAKI OE
 Industrial Zone of Thessaloniki
 Greece
 T: +302310 798 335
 F: +302310 799 868

e-mail: info@techlumen.gr
www.techlumen.gr

facebook.com/techlumenledlightingen
 @Techlumen
linkedin.com/company/tsiolakis-construction