

## Adjustable recessed waterproof LED spot

### RADO

RADO series recessed LED spots are IP54 rated and adjustable, a unique feature in the LED market.

They come in versions of 3W to 10W, CCT range of 2700K to 5000K, and CRI up to >90.

There is a selection of beam angles from 13° to 49°.

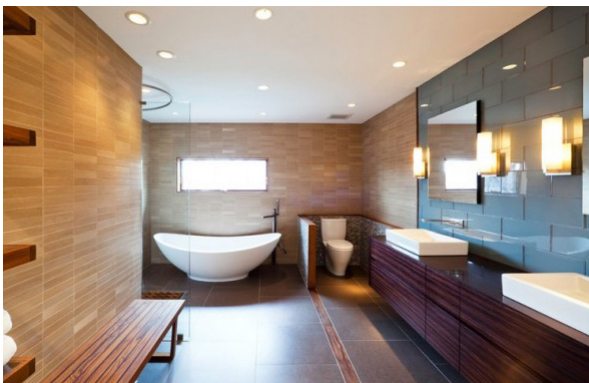
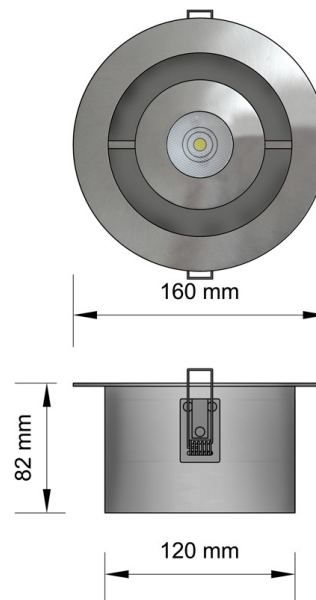
They provide powerful lighting with minimal energy consumption.

The finishing is powder coating at any RAL.

RADO has L80 rating > 70000h, and 5 years warranty.



#### Dimensions



Manufactured in Greece



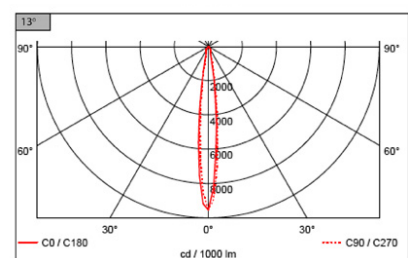
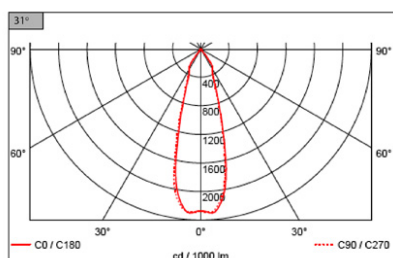
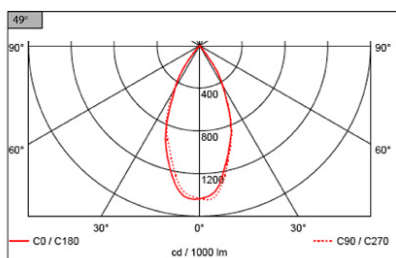
#### Applications

- Hotels
- Houses
- Gyms

Type	RADO
Luminus Power	285 lm - 1580 lm
Power	3W - 9W
Driver	Meanwell
LED Chip	Bridgelux V6, V8, Vero 10
Consumption	0.003 -0.009 KWh/h
Ambient Temperature	-30 °C - + 50 °C
Efficacy	91 - 174 lm/W
Power Factor	0,95
CRI	70 - 90
CCT	2700K - 6500K
IP Rating	IP55
Body	Alluminium
Finishing	Επιλογή RAL
Dimensions	Φ160mm x H82mm
Cut-out	125mm - 155mm
Beam Angle	13°, 31°, 49°
Weight	0.9 Kg
Warranty	5 years
Approvals:	CE, EN 60598-1 EN 13032.01 EN 61439-1:2009 EN 61543:1995 2006/95/EC 2004/108/EC EN 60598-2-2 Rohs

RADO Versions					
Watt	Code	CCT	CRI	Lumen	Lm/W
3W	RADO-927-3	2700	90	285	91
	RADO-827-3	2700	80	350	112
	RADO-930-3	3000	90	310	100
	RADO-830-3	3000	80	365	117
	RADO-840-3	4000	80	405	130
	RADO-850-3	5000	80	390	125
6W	RADO-750-3	5000	70	430	138
	RADO-927-6	2700	90	590	95
	RADO-827-6	2700	80	740	119
	RADO-930-6	3000	90	625	100
	RADO-830-6	3000	80	785	126
	RADO-940-6	4000	90	670	108
9W	RADO-840-6	4000	80	820	132
	RADO-850-6	5000	80	820	132
	RADO-750-6	5000	70	865	139
	RADO-827-9	2700	80	1332	146
	RADO-927-9	2700	90	1111	122
	RADO-830-9	3000	80	1388	153
	RADO-930-9	3000	90	1152	127
	RADO-835-9	3500	80	1430	157
	RADO-935-9	3500	90	1194	131
	RADO-840-9	4000	80	1444	159
	RADO-940-9	4000	90	1236	136
	RADO-750-9	5000	70	1580	174
RADO-850-9	5000	80	1486	163	
RADO-950-9	5000	90	1264	139	
RADO-757-9	5700	70	1525	168	
RADO-857-9	5700	80	1511	166	
RADO-765-9	6500	70	1553	171	
RADO-865-9	6500	80	1538	169	

## Polar Intensity Diagram



**AFOI TSIOLAKI OE**  
Industrial Zone of Thessaloniki  
Greece  
T: +302310 798 335  
F: +302310 799 868

e-mail: [info@techlumen.gr](mailto:info@techlumen.gr)  
[www.techlumen.gr](http://www.techlumen.gr)

[facebook.com/techlumenledlightingen](https://www.facebook.com/techlumenledlightingen)  
[@Techlumen](https://twitter.com/Techlumen)  
[linkedin.com/company/tsiolakis-construction](https://www.linkedin.com/company/tsiolakis-construction)