



Magnetic Track LED Fixture

MG-RAY-25

The MG-RAY-25 LED fixtures are designed with precision and elegance.

MG-RAY-25 boast a compact form factor with a diameter of only 25mm and a height of 52mm, making them ideal when low-sized fixtures are needed. The MG-RAY-25 fixtures have various optics options, they offer beam angles from 24° to 70°. This versatility allows you to tailor the lighting to your specific needs, whether you require focused illumination or broader coverage.

With a wide range of selection of colour temperatures, ranging from 2700K to 6500K, and an impressive Color Rendering Index (CRI) of up to 97, the MG-RAY-25 provides exceptional colour accuracy and clarity. Additionally, these fixtures deliver a luminous flux of up to 1029lm, ensuring ample brightness to illuminate any space.

MG-RAY-258 boasts an impressive L80 rating of over 70,000 hours. This means the light output will remain consistent even after prolonged use, minimising maintenance and replacement costs. Furthermore, we back our product with a 5-year warranty, giving you peace of mind and confidence in your investment.

The MG-RAY-25 stands out with its slender profile and sleek design, creating a visually appealing aesthetic that adds a touch of sophistication to any architectural space. It is ideal for those seeking a minimalist and modern lighting solution.

DALI

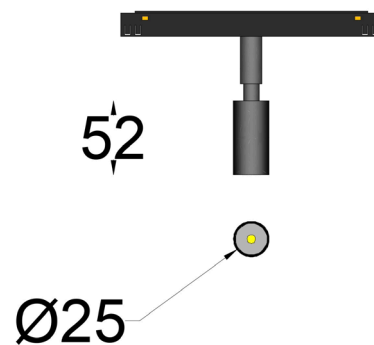
DIM to WARM



Manufactured in Greece



Dimensions



Applications

- Shops
- Supermarkets
- Offices
- Hotels
- Restaurants
- Houses



Type	MG-RAY-25
Luminous Flux	318 lm - 1029lm
Power	3W - 6W
Ambient Temperature	-30°C - +50°C
Efficacy	93 - 171 lm/W
Voltage Input	48V DC
CRI	70 - 97
CCT	2700K - 5000K
IP Rating	IP20
Body	Aluminium
Finishing	Black / White / Other RAL optional
Dimensions	Φ25 - H52
Weight	0.3 Kg
Warranty	5 years
Compliances	EN 60598-1:2021+A11:2022 EN 60598-2-1:2022 EN IEC 61000-3-2:2019+A1:2021 EN 61000-3-3:2013+A2:2021 EN 61547:2020 EN 55015:2019+A11:2020 EN 62471:2008 IEC/TR 62778:2014 EN 62493:2015+A1:2022 EN 63000:2018 Directive (LVD) 2014/35/EU Directive (EMC) 2014/30/EU Directive (RoHS) 2011/65/EC Directive (REACH) 2015/863/EU Directive (GPS) 2015/863/EU Directive (EuP) 2001/95/EC

MG-RAY-25 Versions					
Watt	Code	CCT	CRI	Lumen	Lm/W
3W	MG-RAY-25-927H-3	2700	97	318	106
	MG-RAY-25-927-3	2700	90	346	115
	MG-RAY-25-827-3	2700	90	420	140
	MG-RAY-25-930-3	3000	90	378	126
	MG-RAY-25-830-3	3000	80	446	148
	MG-RAY-25-935-3	3000	90	375	125
	MG-RAY-25-835-3	3000	80	457	152
	MG-RAY-25-940-3	4000	90	383	127
	MG-RAY-25-840-3	4000	80	459	153
	MG-RAY-25-950-3	5000	90	402	134
6W	MG-RAY-25-850-3	5000	80	465	155
	MG-RAY-25-750-3	5000	70	483	161
	MG-RAY-25-927H-6	2700	97	561	93
	MG-RAY-25-927-6	2700	90	590	95
	MG-RAY-25-927F-6	2700	90	929	155
	MG-RAY-25-827-6	2700	80	740	119
	MG-RAY-25-930H-6	3000	90	724	120
	MG-RAY-25-930-6	3000	90	799	133
	MG-RAY-25-930F-6	3000	90	948	158
	MG-RAY-25-830-6	3000	80	985	164
	MG-RAY-25-935-6	3500	90	724	120
	MG-RAY-25-935F-6	3500	90	957	160
	MG-RAY-25-835-6	3500	80	985	164
	MG-RAY-25-940-6	4000	90	841	140
	MG-RAY-25-940F-6	4000	90	967	162
	MG-RAY-25-840-6	4000	80	1008	168
MG-RAY-25-950-6	5000	90	856	142	
MG-RAY-25-950F-6	5000	90	938	156	
MG-RAY-25-850-6	5000	80	990	165	
MG-RAY-25-750-6	5000	70	1029	171	

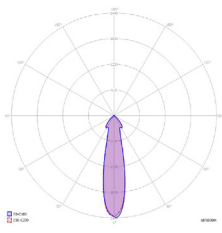
Accessories / Options



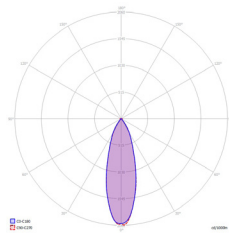
Honeycomb

Polar Diagrams

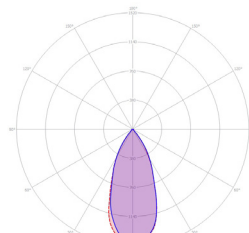
24°



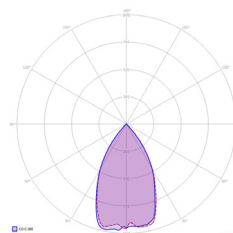
32°



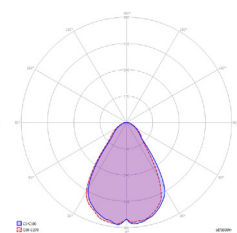
55°



60°



70°



AFOI TSIOLAKI & SIA OE G.P.

Industrial Zone of Thessaloniki
Greece
T: +302310 798 335
F: +302310 799 868

e-mail: info@techlumen.gr
www.techlumen.gr

facebook.com/techlumenledlightingen

@Techlumen

linkedin.com/company/tsiolakis-construction