

# TECH LUMEN

WHEN LIGHT MATTERS

## IN-GROUND LED SPOT

### IGN-100 Series

IGN-100 inground LED spots provide high quality energy efficient lighting.

They are produced at 3W - 9W versions with CCT range 2700K - 5000K.

IGN-100 are made of stainless steel, with IP68 rating and IK10 rating

IGN-100 have 5 year warranty.



Manufactured in Greece

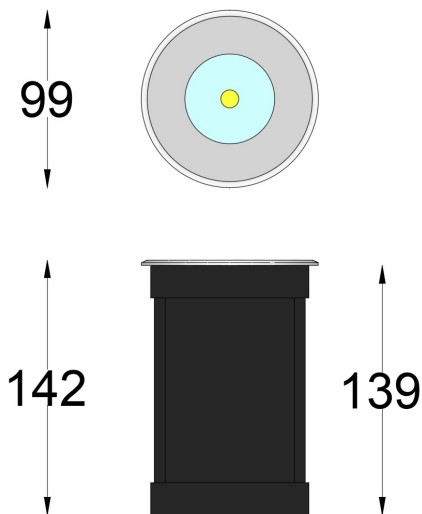


Type	IGN-100 Series
Luminous Flux	320lm - 1610lm
Power	3W - 9W
Ambient Temperature	-30 °C - + 50 °C
Efficacy	112 - 179 lm/W
Power Factor	0,95
CRI	80 - 90
CCT	2700K - 5000K
IP Rating	IP68
IK Rating	IK10
Body	SS 316
Dimensions	Φ99mm x 142mm
Weight	1,2 Kg
Warranty	5 years
Compliances:	CE EN 60598-1:2021+A11:2022 EN 60598-2-1:2022 EN IEC 61000-3-2:2019+A1:2021 EN 61000-3-3:2013+A2:2021 EN 61547:2020 EN 55015:2019+A11:2020 EN 62471:2008 IEC/TR 62778:2014 EN 62493:2015+A1:2022 EN 63000:2018 Directive (LVD) 2014/35/EU Directive (EMC) 2014/30/EU Directive (RoHS) 2011/65/EC Directive (REACH) 2015/863/EU Directive (GPS) 2015/863/EU Directive (EuP) 2001/95/EC Directive (GPS) 2001/95/EU

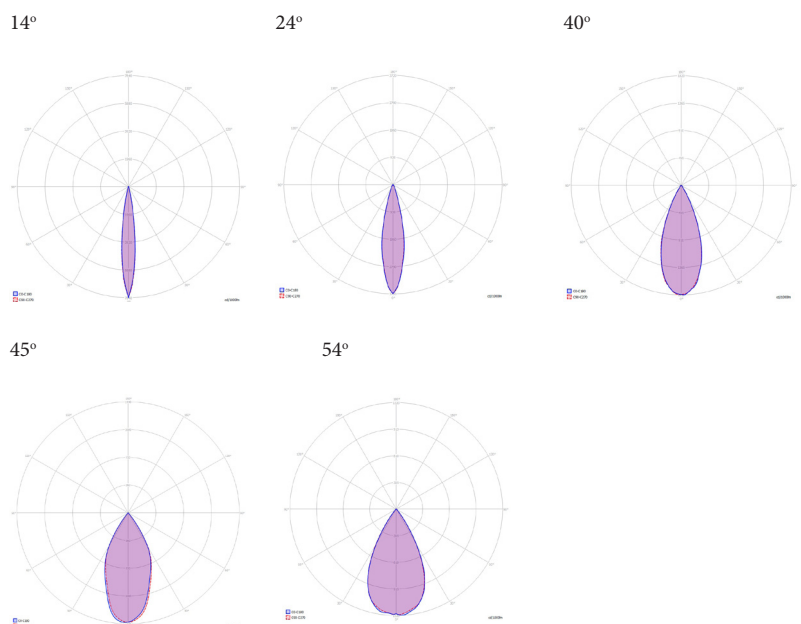
IGN-100 series Versions						
Watt	Code	CCT	CRI	Lumen	Lm/W	
<b>3W</b>	IGN-100-827-3	2700	80	455	152	
	IGN-100-830-3	3000	80	465	155	
	IGN-100-835-3	3500	80	470	157	
	IGN-100-840-3	4000	80	475	158	
	IGN-100-850-3	5000	80	460	153	
	IGN-100-927-3	2700	90	320	107	
	IGN-100-930-3	3000	90	335	112	
	IGN-100-935-3	3500	90	350	117	
	IGN-100-940-3	4000	90	360	120	
	IGN-100-950-3	5000	90	375	125	
<b>6W</b>	IGN-100-827-6	2700	80	951	159	
	IGN-100-830-6	3000	80	970	162	
	IGN-100-835-6	3500	80	975	163	
	IGN-100-840-6	4000	80	980	163	
	IGN-100-850-6	5000	80	960	160	
	IGN-100-927-6	2700	90	860	143	
	IGN-100-930-6	3000	90	875	146	
	IGN-100-935-6	3500	90	880	147	
	IGN-100-940-6	4000	90	890	148	
	IGN-100-950-6	5000	90	870	145	
<b>9W</b>	IGN-100-827-9	2700	80	1560	173	
	IGN-100-830-9	3000	80	1590	177	
	IGN-100-835-9	3500	80	1600	178	
	IGN-100-840-9	4000	80	1610	179	
	IGN-100-850-9	5000	80	1580	176	
	IGN-100-927-9	2700	90	1440	160	
	IGN-100-930-9	3000	90	1470	163	
	IGN-100-935-9	3500	90	1490	166	
	IGN-100-940-9	4000	90	1510	168	
	IGN-100-950-9	5000	90	1460	162	

12VDC /3000K - 6,9,13W available under request

## Dimensions



## Polar Intensity Diagram



**AFOI TSIOLAKI & SIA OE G.P.**  
Industrial Zone of Thessaloniki  
Greece  
T: +302310 798 335  
F: +302310 799 868

e-mail: [info@techlumen.gr](mailto:info@techlumen.gr)  
[www.techlumen.gr](http://www.techlumen.gr)

[facebook.com/Techlumen](https://www.facebook.com/Techlumen)  
[@Techlumen](https://twitter.com/Techlumen)  
[linkedin.com/company/tsiolakis-construction](https://www.linkedin.com/company/tsiolakis-construction)