



## LED RECESSED LIGHT

### DL-17 Series

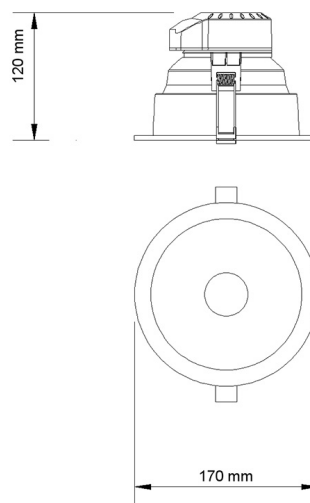
The DL-17 recessed luminaires offer a reliable and cost efficient light solution. They are available in 3000K and 4000K and with outputs from 1080lm to 2030lm. They have a light beam of 90 ° or 60 ° with UGR <19.

DL-17 are produced with a 5 year warranty and a L70B50 > 50000h.

EM 3h

DALI

#### Dimensions

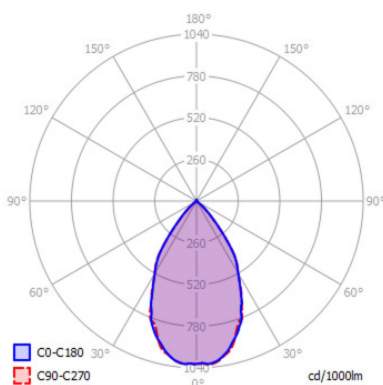


Type	DL-17 Series
Luminous Flux	980 lm -2030 lm
Power	10W- 20W
Ambient Temperature	-30 °C - + 40 °C
Efficacy	105 - 111 lm/W
Power Factor	0,95
CRI	80
CCT	3000K - 4000K
Beam angle	60° - 90°
IP Rating	IP44
Body	PC + Aluminium
Finishing	White
Dimensions	Φ170
Cut-out	142mm - 160mm
Weight	0.3 Kg
Warranty	5 years
Compliances:	CE EN 60598-1:2021+A11:2022 EN 60598-2-1:2022 IEC 60598-2-2:2023 EN IEC 61000-3-2:2019+A1:2021 EN 61000-3-3:2013+A2:2021 EN 61547:2020 EN 55015:2019+A11:2020 EN 62471:2008 IEC/TR 62778:2014 EN 62493:2015+A1:2022 EN 63000:2018 Directive (LVD) Directive (EMC) 2014/30/EU Directive (RoHS) 2011/65/EC Directive (REACH) 2006/1907/EC Directive (EuP) Directive (GPS))

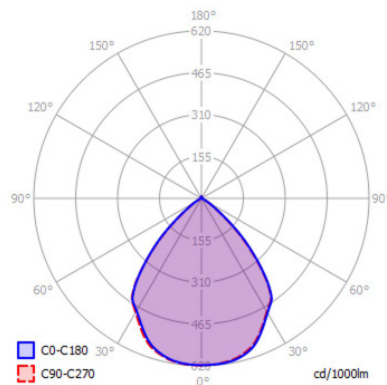
DL-17 series Versions					
Watt	Code	CCT	CRI	Lumen	Lm/W
<b>10 W</b>	DL-17-830-10	3000	80	1080	108
	DL-17-840-10	4000	80	1110	111
<b>20 W</b>	DL-17-830-20	3000	80	2100	105
	DL-17-840-20	4000	80	2200	110

## Polar Intensity Diagram

60°



90°



**AFOI TSIOLAKI & SIA OE G.P.**  
Industrial Zone of Thessaloniki  
Greece  
T: +302310 798 335  
F: +302310 799 868

e-mail: [info@techlumen.gr](mailto:info@techlumen.gr)  
[www.techlumen.gr](http://www.techlumen.gr)

 [facebook.com/Techlumen](https://facebook.com/Techlumen)

 [@Techlumen](https://twitter.com/Techlumen)

 [linkedin.com/company/tsiolakis-construction](https://linkedin.com/company/tsiolakis-construction)